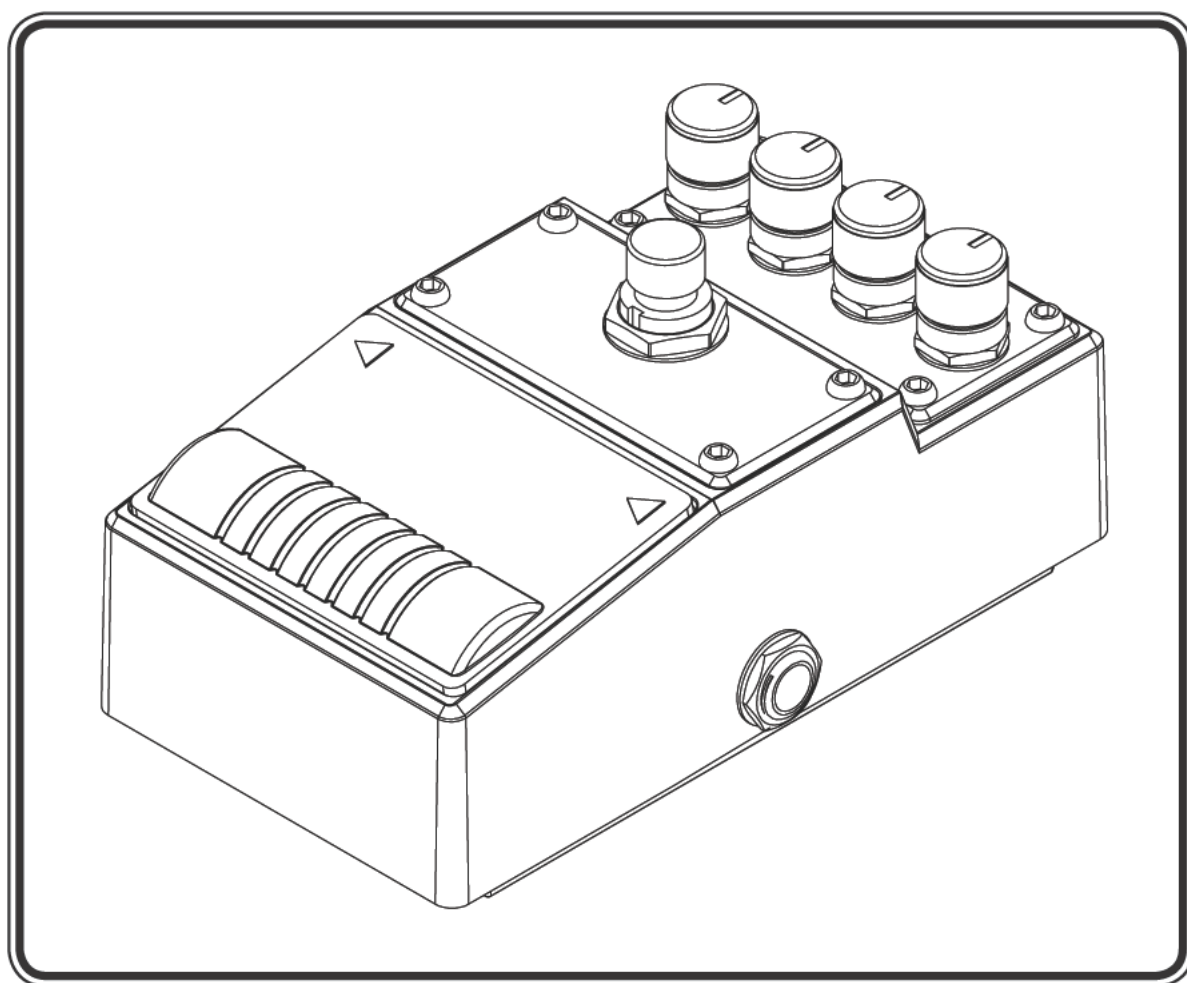


Stomp ACE OVERDRIVE



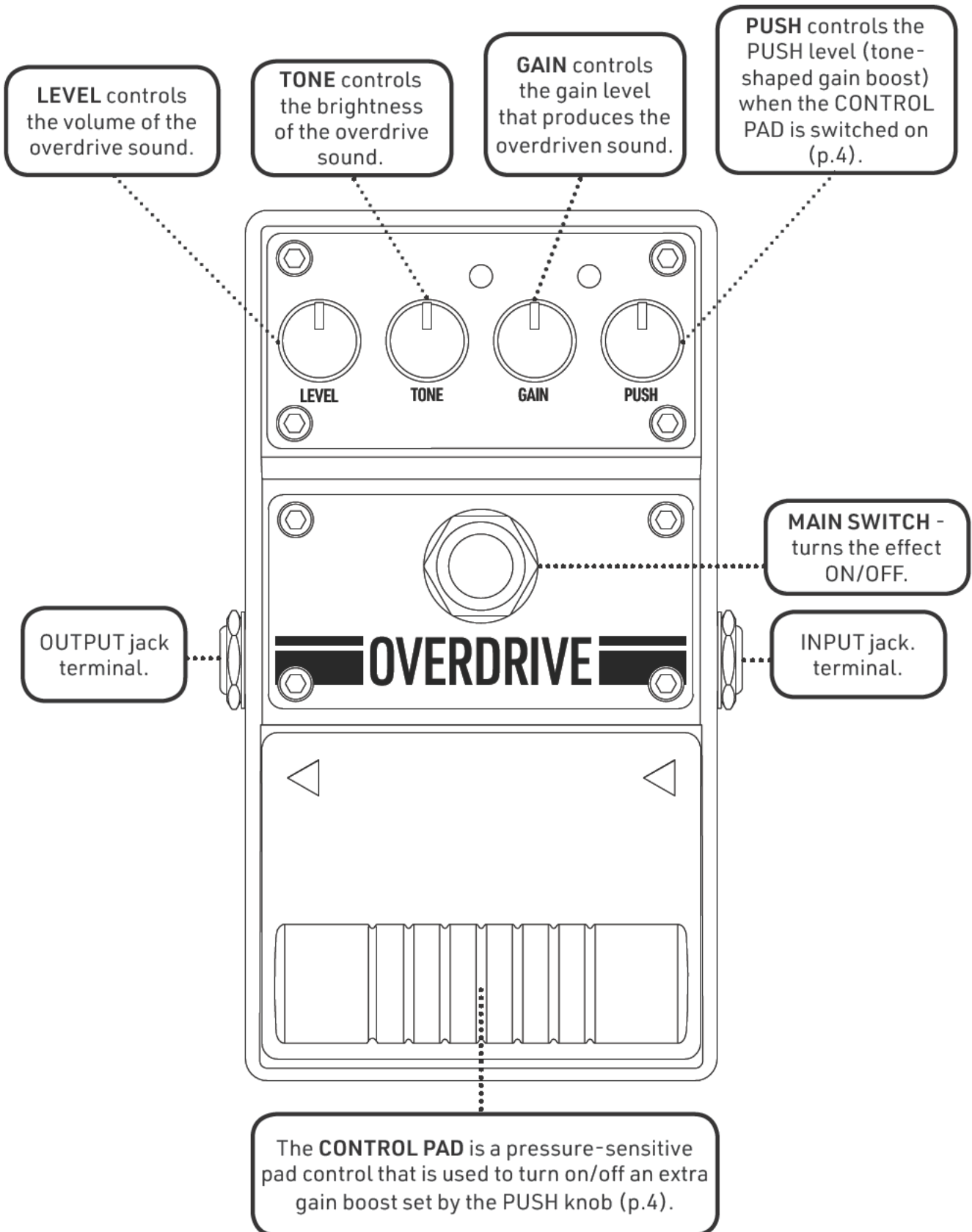
User's Manual



Ver. 1.00

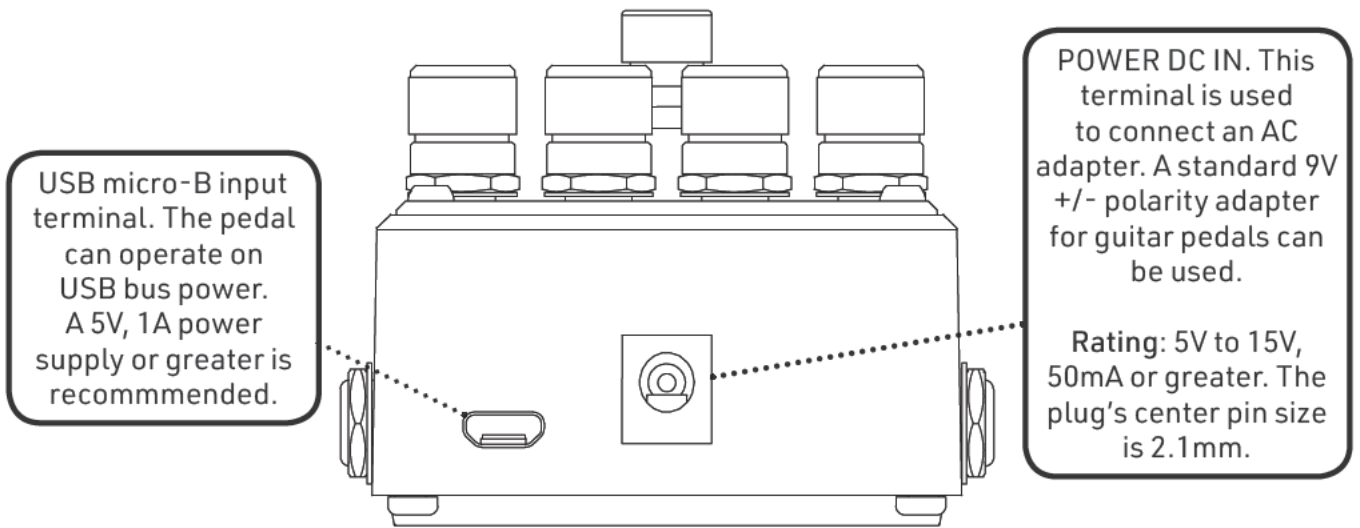
Stomp ACE

1. Top Panel Controls



Stomp ACE

2. Rear Panel



3. Basic Operation

- Connect the AC adapter to the DC IN connector, or USB bus power to the USB connector.
- Turn down the volume on the amplifier before connecting your instrument and effects.
- Connect the INPUT and OUTPUT jacks before pressing the MAIN SWITCH to turn the effect on. The center LED on the top panel will light blue to indicate the effect is on.
- When the CONTROL PAD is pressed the PUSH LED lights red to indicate the gain boost set by PUSH is on. Press the CONTROL PAD again to turn off PUSH.

4. Specifications

- Controls: LEVEL, TONE, GAIN, PUSH.
- Terminals: 1 x USB micro-B, 1 x POWER DC IN, 2 x 1/4" Jacks: INPUT (mono), OUTPUT (mono).
- Power Requirements: 5~15V 50 mA DC, or USB micro-B 5V (1A or more is recommended).
- Input Impedance: 700 k Ω .
- Output Impedance: 4.4 k Ω .
- Dimensions: (H x W x D): 57 x 72 x 119 mm / 2.24" x 2.83" x 4.68".
- Weight: 328g / 0.73 lb.

In the interest of product improvement, the specifications and/or appearance of this unit are subject to change without prior notice.

Stomp ACE

5. Effect Controls

Stomp ACE OVERDRIVE is a classic analog overdrive effect pedal. Simple to use, this Stomp ACE produces a powerful overdriven sound with the warm tonal characteristics of a tube amplifier. This effect has a lot of versatility - you can dial in a subtle crunch or really 'push' the gain up to the limit while not losing control over the tone.

Using the CONTROL PAD function, you can turn on an additional tone-shaped gain boost that is set by the PUSH knob. This boost is perfect for choruses or leads when you need that extra push of gain and a different overdriven tone.

- Turn the **LEVEL** knob to adjust the volume of the overdrive effect (wet signal).
- Turn the **TONE** knob to adjust the brightness of the overdrive sound. When the TONE knob is centered there is no tone adjustment. Turn TONE to the left of center to cut higher frequencies and darken the tone. Turn TONE to the right of center to boost higher frequencies and brighten the tone.
- Turn the **GAIN** knob to adjust the amount of gain to produce the overdriven sound.
- Turn the **PUSH** knob to adjust the PUSH level (tone-shaped gain boost) that is applied to the signal when PUSH is on. When the PUSH knob is turned up fully this equates to a boost of 12dB.

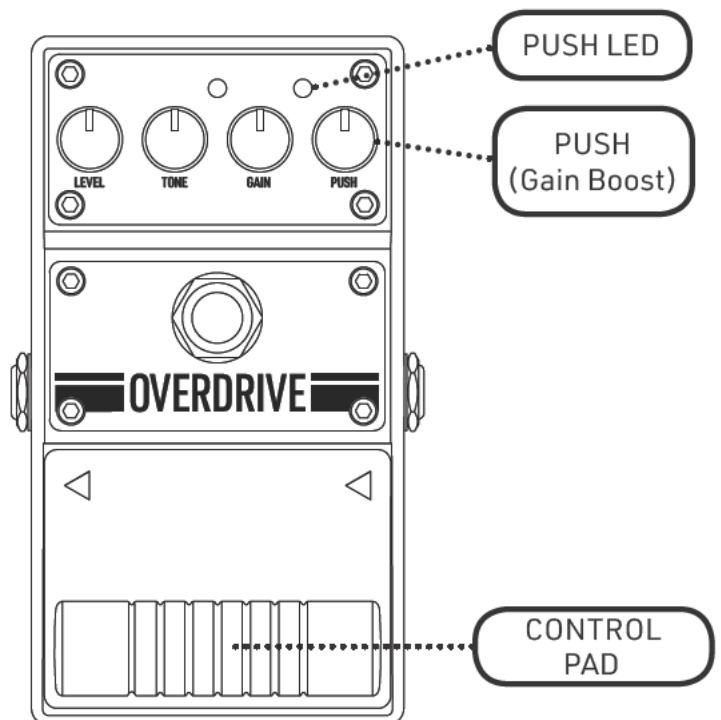
6. PUSH

For years guitar players have used pickups and pedals to "push" their tube amps to a level of desired overdrive/breakup. The Stomp ACE PUSH (Gain Boost) knob allows you to dial in the perfect amount of glorious overdrive.

The Control Pad is a pressure-sensitive pad control that functions as a simple switch to turn on an extra tone-shaped gain boost set by the PUSH knob.

To use PUSH:

1. Press the CONTROL PAD to turn on PUSH. The PUSH LED will light red.
2. Adjust the PUSH knob to add the desired amount of extra gain.
3. Press the CONTROL PAD again to turn off PUSH.



7. Safety Precautions



Warning

This symbol indicates a hazard that could result in death or serious injury.

Never try to disassemble, or modify the unit.

Do not use or store in the following locations:

- Locations of high temperature (such as direct sunlight, near heating equipment).
- Moist or humid locations (near a bath or shower, or on a wet floor).
- Locations subject to salt damage.
- Locations subject to water or rain.
- Excessively dusty or sandy locations.

Do not apply too much pressure or tension or place a heavy object on the power cord. Doing so may damage the power cord and create a danger of fire or electrical shock.

Turn off the unit and unplug the AC adapter from the outlet and contact your local dealer or the manufacturer for repair in the case of any of the following:

- If the AC adapter, power cord, or plug is damaged.
- If smoke is emitted or an abnormal odor is noticed.
- If liquid or a foreign object enters the unit.
- If an abnormality or malfunction occurs in the unit.

Disconnect the power plug from the AC outlet if not using the unit for an extended period, or if lightning is expected. Failure to do so may cause electric shock, fire, or malfunction.

Never unplug the AC adapter while your hands are wet.

Do not disturb the heat radiation from the AC adapter. Built-up heat can deform the case or cause a fire hazard.

Be sure to use an AC adapter within the rated range.

* "AC adapter" includes power supplied via USB.

FCC COMPLIANCE

This device complies with part 15 of the FCC rules.

Operation is subject to the following two conditions:

1. This device may not cause harmful interference, and
2. This device must accept any interference received, including interference that may cause undesired operation.

For customers in Canada, this Class B digital apparatus complies with CAN ICES-3B/NMB-3(B).

Stomp ACE

7. Safety Precautions (Cont.)



This symbol indicates that in EU countries, this product must be collected separately from household waste, as defined in each region.

Products bearing this symbol must not be discarded together with household waste.

8. Use Precautions

Cleaning:

Do not use solvents (such as benzene, paint thinner) on the unit, since these may dull the finish or damage the surface.

Power:

Stomp ACE can use an AC adapter with a standard plug whose center pin is $\Phi 2.1$ mm.

Supports both center plus (+) and center minus (-) polarities.

Voltage and current ratings are within 5 to 15 VDC, 50 mA or more.

Power can also be supplied from the USB micro-B connector.

A 5V 1A or greater power supply is recommended.

Precautions When Connecting:

- To prevent malfunction and equipment failure, always turn down the volume, and turn off all the devices before making any connections.
- Once the connections have been completed, turn on the power to your various devices in the order specified. By turning on devices in the wrong order, you risk causing malfunctions and/or damage to speakers and other devices.

When powering up: Turn on the power to your guitar amp last.

When powering down: Turn off the power to your guitar amp first.

- This unit is equipped with a protection circuit. A brief interval (a few seconds) after power up is required before the unit will operate normally.
- Turn off the unit and unplug the AC adapter if an abnormality or malfunction occurs, and contact the dealer or the manufacturer.